

Designers & Manufacturers of Drilling & Tapping Solutions



ATU - 4 Production Tapping Machine and Tapping Unit

Precision lead screw tapping to keep you at the cutting edge of tapped hole production.

The ATU series tapping units and machines from Ettco give you precise efficient hole production.

The new solid-state programmable controller allows faster set up and control, reduces the size of the control panel, and decreases the number of mechanical relays. The operator interface terminal is swivel mounted for easy positioning and viewing. The terminal shows operational and alarm messages and allows the spindle to be jogged in either direction.

The ATU-4 is available either as a floor-standing machine or as unit that can be mounted in any position from vertical to horizontal. The machine includes a welded steel base and table with T-slot, coolant line, coolant tank with pump and double palm start buttons.

AT a glance....

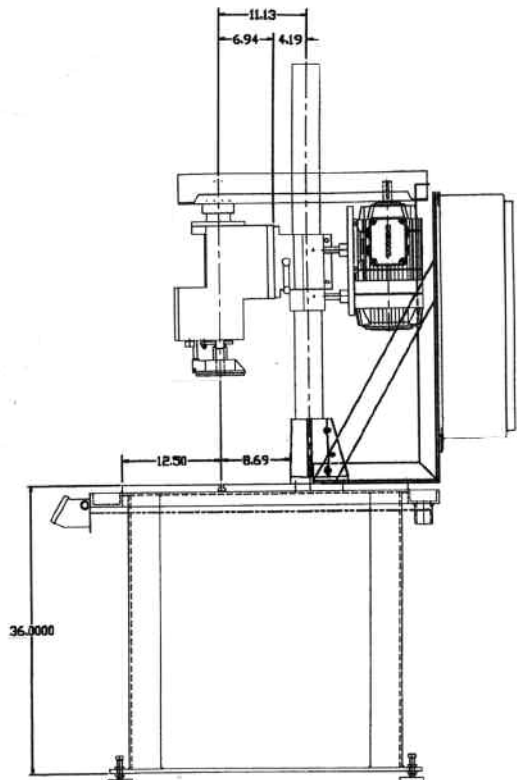
- 4" of lead screw travel.
- 25 cycles per minute possible.
- Swivel mounted operator interface terminal, with English or Spanish display.
- Solid-state programmable controller.
- 3.5 HP, 1140 RPM high reversing motor 230/460/3/60.

Features & Specifications:

- Unit & Machine:
- 4" of lead screw travel.
- 25 cycles per minute possible.
- Solid-state programmable.
- 3.5, hp 1140 RPM high reversing motor 230/460/3/60.
- 194 Inch pounds torque.
- Pulley drive (370-1500 RPM)
- No hole protection
- Electrical control panel and controls for double palm
- Push button operation.
- Lead screw drip oiler, with adjustable flow rate.
- Resettable cycle counter, accessible through interface terminal
- Optional speed reducer to permit speeds as low as 55 RPM.

Machine:

- Swivel mounted operator interface terminal, with English or Spanish display.
- 4" Diameter column with raising & lowering mechanism.
- 24" W X 36" H Machine base of welded steel construction.
- 10 Gallon capacity coolant system.
- Excellent power source for Ettco multiple spindle heads.



ROCKFORD DRILL HEAD

procunier

3445 Lonergan Drive, Rockford, IL 61125 • Tel: 815/874-9421 Fax: 815/874-9425 • www.rockford-ettco.com
 304 Winston Creek Parkway, Lakeland, FL 33810 • Tel: 863/688-0071 Fax: 863/682-6233 • www.procunier.com

Rockford-Ettco reserves the right to modify product design in the interest of improving quality.

© 2007 Rockford-Ettco

Form REP071-7-8