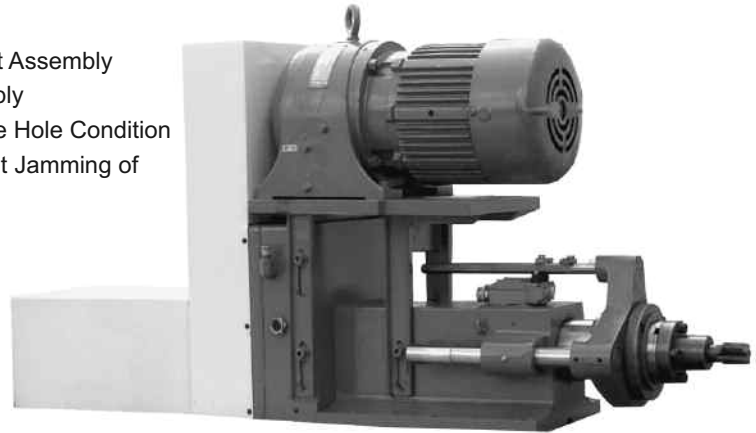


Designers & Manufacturers of Drilling & Tapping Solutions

Model LQ-1530 Self Contained, Lead Screw Operated Tapping Unit

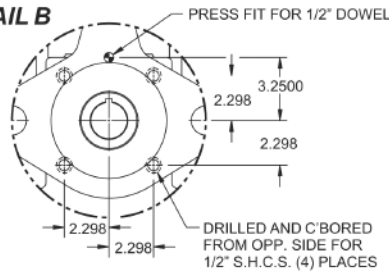
Standard Features

- Precision Thread Ground Lead Screw and Nut Assembly
- Quick Change of Lead Screw and Nut Assembly
- Tap Jam Limit Switch for No Hole or Undersize Hole Condition
- Safety Return Override Limit Switch to Prevent Jamming of the Lead Screw
- Alloy Aluminum Main Body
- Large Quill Diameter and Quill Bearings
- All Ball Bearing, Spline Driven
- ASA I.D. Spindle
- Enclosed Belt Guard
- Mounting for Multi SpindleHead
- 1 : 2.46 Reduction Gear Box Assembly
- Conveniently Located Control Dogs
- Heavy-Duty Motor Mounting Bracket with Jack Screw Assembly



STROKE	0 - 8 INCHES
LEAD SCREW PITCH	6 TO 32
DRIVE SHAFT	2 INCHES
DIAMETER OF QUILL	4-1/2 INCHES
MOTOR HORSE POWER	7-1/2 TO 15

DETAIL B



DETAIL A

