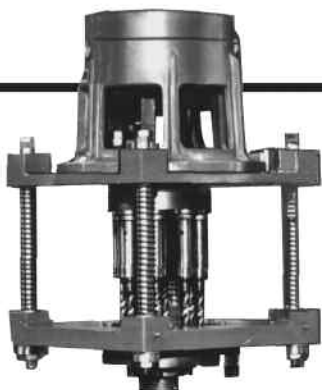
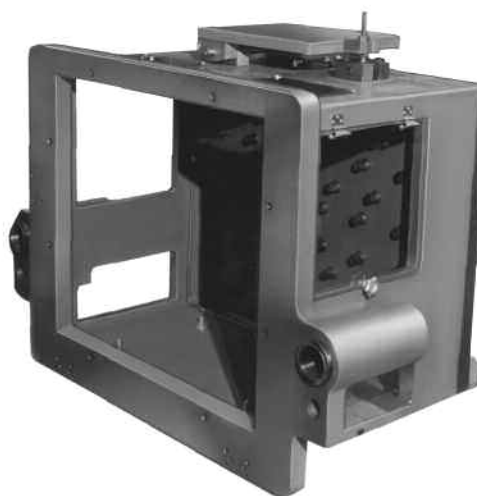


Designers & Manufacturers of Drilling & Tapping Solutions



Model 1260

Universal round drill head with slip plate and suspended bushing plate arrangement with center locator



Model 3030-80

Universal rectangular drill head gearbox and skirt



Model 1424-60

3 speed universal rectangular drill head gear box and skirt