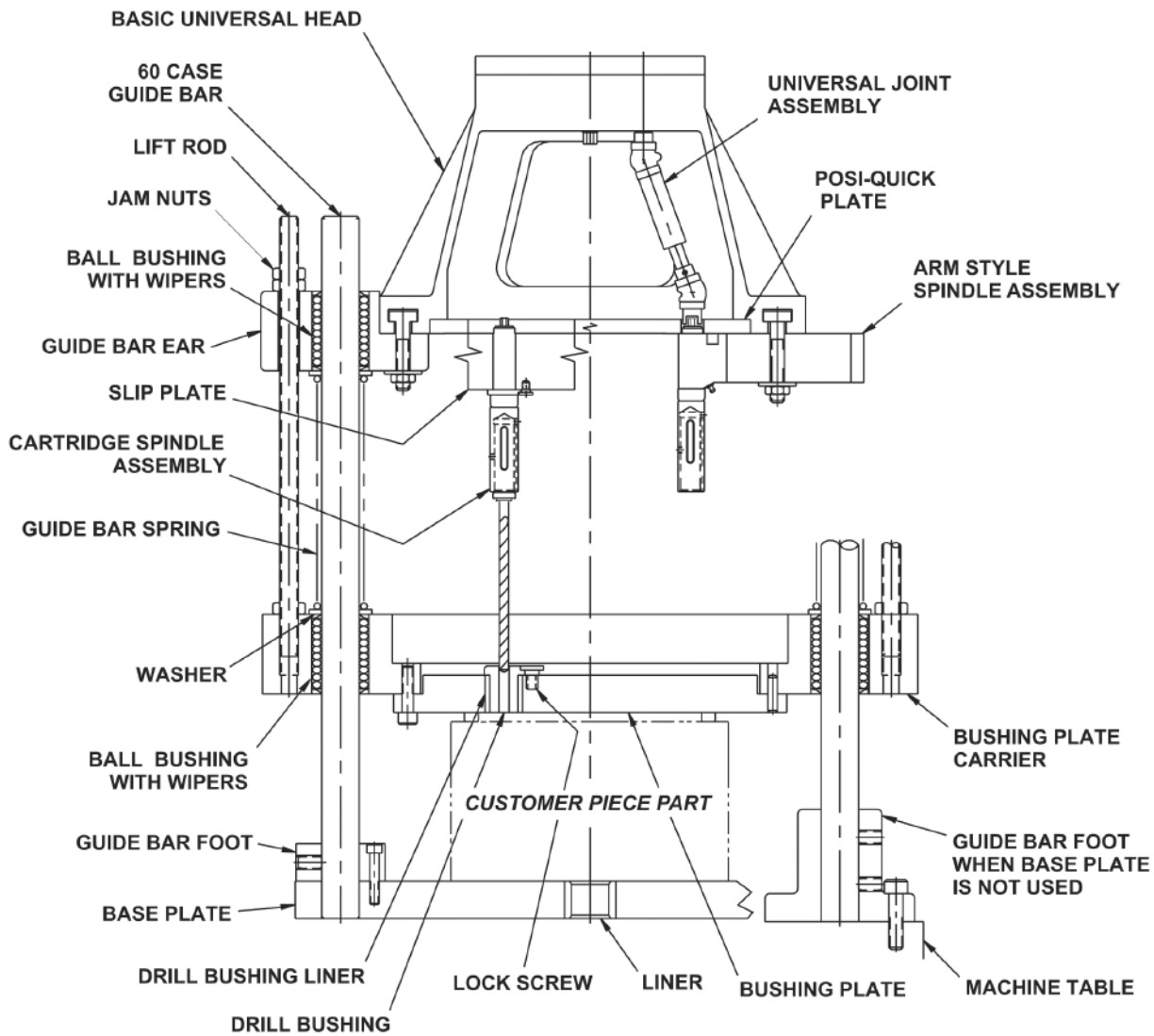


Designers & Manufacturers of Drilling & Tapping Solutions



This optional guide bar assembly consists of:

- (1) Two 60 case guide bars
- (2) One bushing plate carrier to hold bushing plate and one blank bushing plate
- (3) Two lift rods
- (4) One base plate with center locating bushing
- (5) Compression springs with lengths cut to suit

OPTIONS:

Bushing plate assemblies can be furnished complete as shown or with specific details quoted upon request.